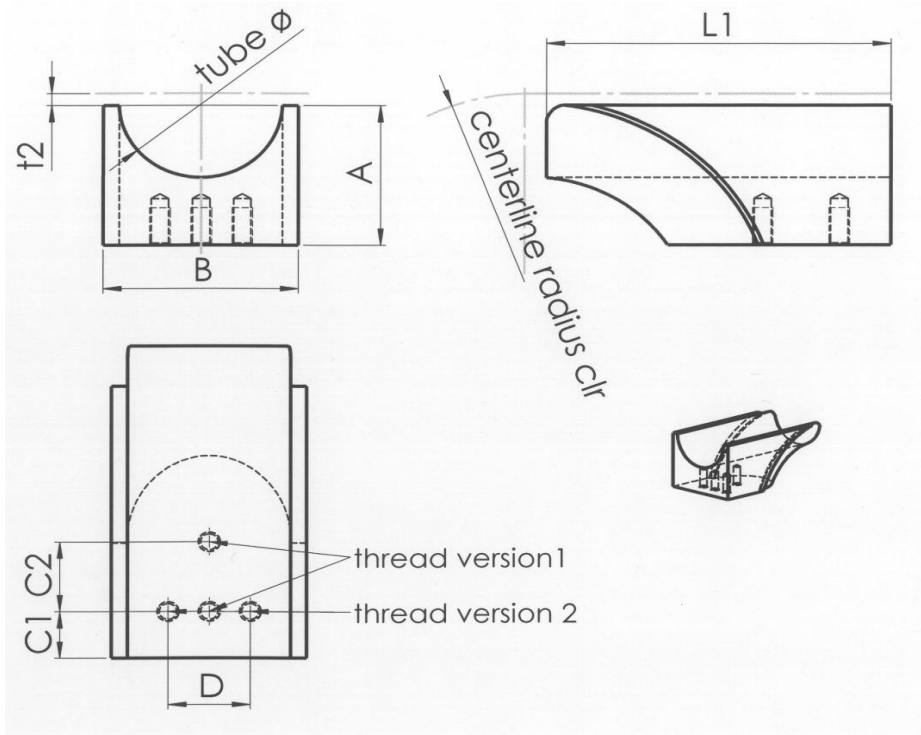


Inquiry for wiper die

Company:

Inquiry no.:



Specification wiper die rectangular

Customer project			
Tube material			
Quantity			
Tube diameter			
Bending radius (CRL)			
A			
B			
C1 (version 1 + 2)			
C2 (version 1)			
D (version 2)			
L1			
t2			
Thread			