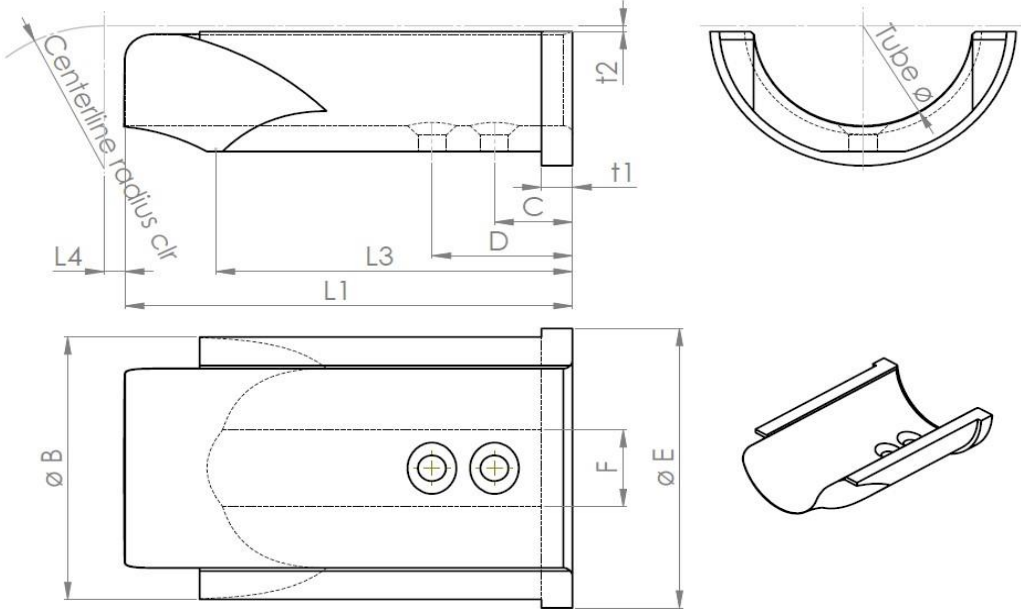


Inquiry for wiper die insert

Company:

Inquiry no.:



Specification wiper die insert Production only in pairs

Customer project			
Tube material:			
Quantity:			
Tube diameter:			
Bending radius:			
ø B			
C			
D			
ø E			
F (wide area)			
L1			
L3			
L4			
t1			
t2			
Reduction DIN 74			